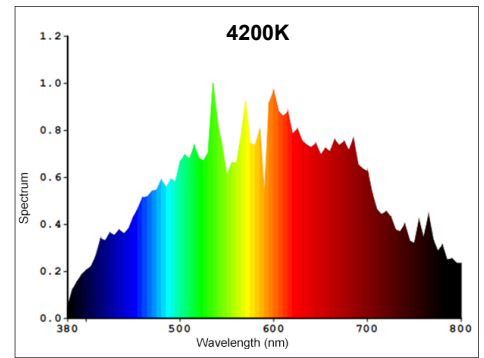
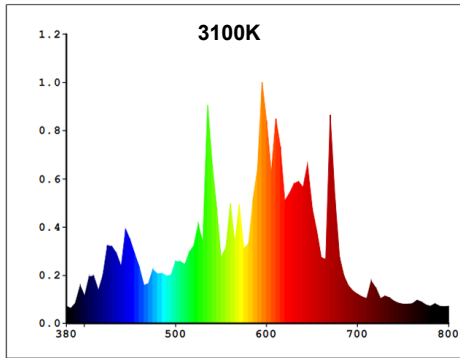


CMH 315W SE

Code:LCL0315SB0003

CMH Grow Lights



Protections

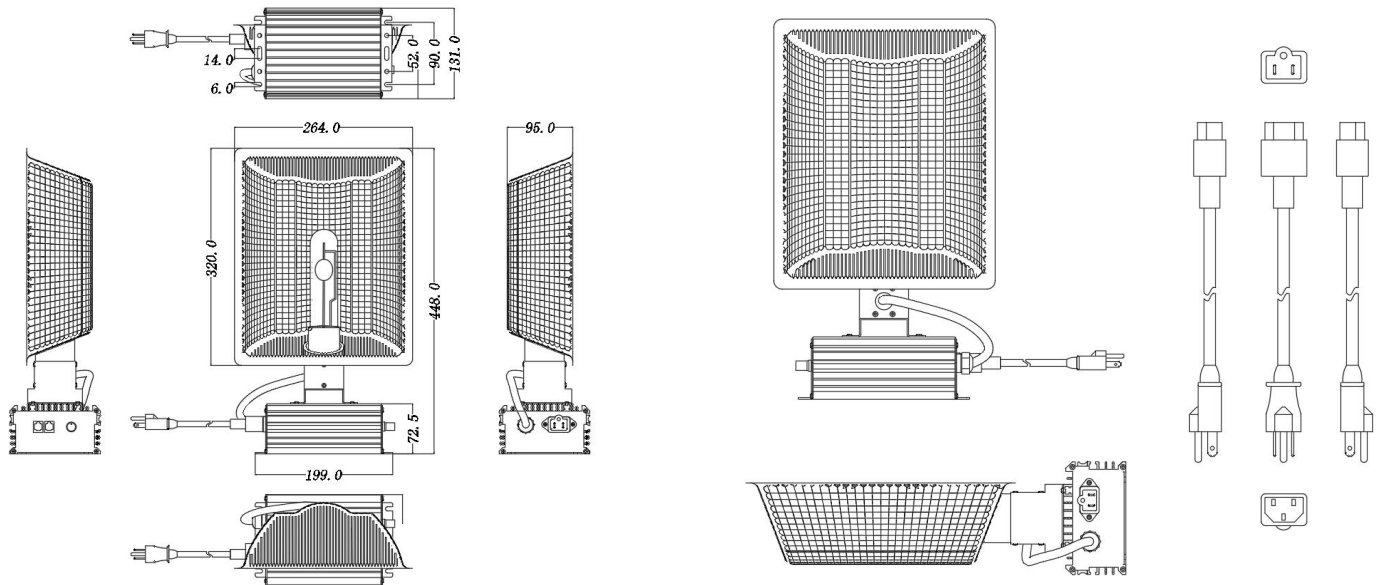
- 1.End of Lamp Life(EOL)Protection
- 2.Short circuit protection
- 3.Open circuit protection
- 4.Over temperature protection

Installation & Application Notes

- 1.Ambient Temperature:-20--+40°C/-4--+104°F
2. Max. Humidity:95%
3. Ignition voltage is 4.8kV
4. warranty of the ballast: 3 years
5. warranty of the lamp: 1 year

Instruction

The light must be lighted with standard power. And after 10 minutes, then turn the knob to adjust the light.



Notice

Avoid the risk of electric shock:

Turn off the power when checking, installing, and replacing the lamp. Avoid contact between the ballast and the liquid to prevent liquid infiltration and short circuit.

Avoid the risk of fire:

Keep away from the flammable and explosive substances
 Water damage can cause short-circuit, and may cause electric shock, fire, or property damage.
 Do not exceed the rated voltage of the ballast.
 Do not use when the casing is cracked, cracked or out skindeformed.
 Use within the rated life.
 Turn on the switch after it is fully installed.
 Only use matched ballast and light sources.
 Be grounded and pay attention to the heat dissipation when installing the lamp.
 The input terminal and output terminal cannot be reversed.

Avoid the risk of burns:

Do not touch the lamp before it has cooled down.
 Pls do not open the shell immediately after turning off the light to avoid the capacitor discharge and burn your skin.
 Use professional tools when installing and removing.
 The ballast must be power off when replacing the bulb, and wait about 10 minutes for the bulb cooling and avoid skin burns.

Notice:

If the bulb is not lit, after 30 minutes, the ballast will automatically stop working .
 The ballast must be power off when replacing the bulb
 The interval between power-off of the ballast and power-up again must be over 8 minutes.

Physical

Case Length	485mm	19.1"	Height	135mm	5.31"
Case Width	310mm	12.2"	Weight	2.8kg	

Performance

Lamp	1*315W SE CMH	Output Power	315W
Rated mains voltage	120V-240V	Operation frequency	120 Hz
Mains frequency	50/60Hz	Min Power Factor	0.98
Reflector	95% Eciency Aluminium	THD	<10%